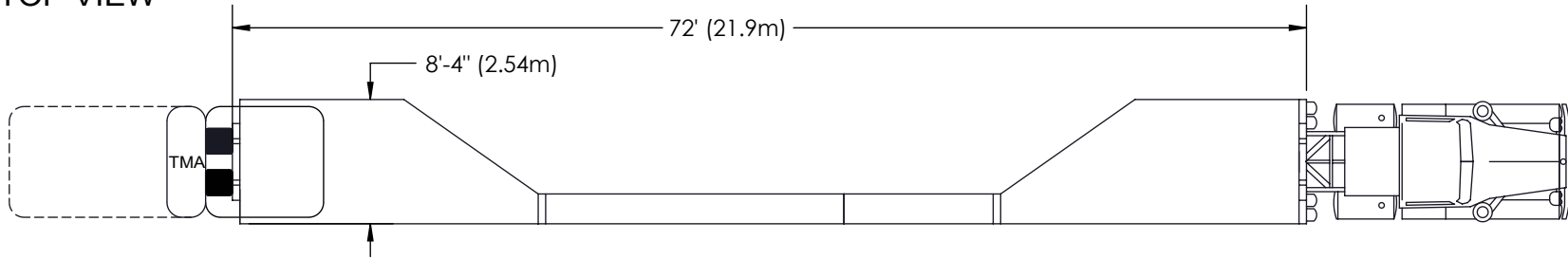
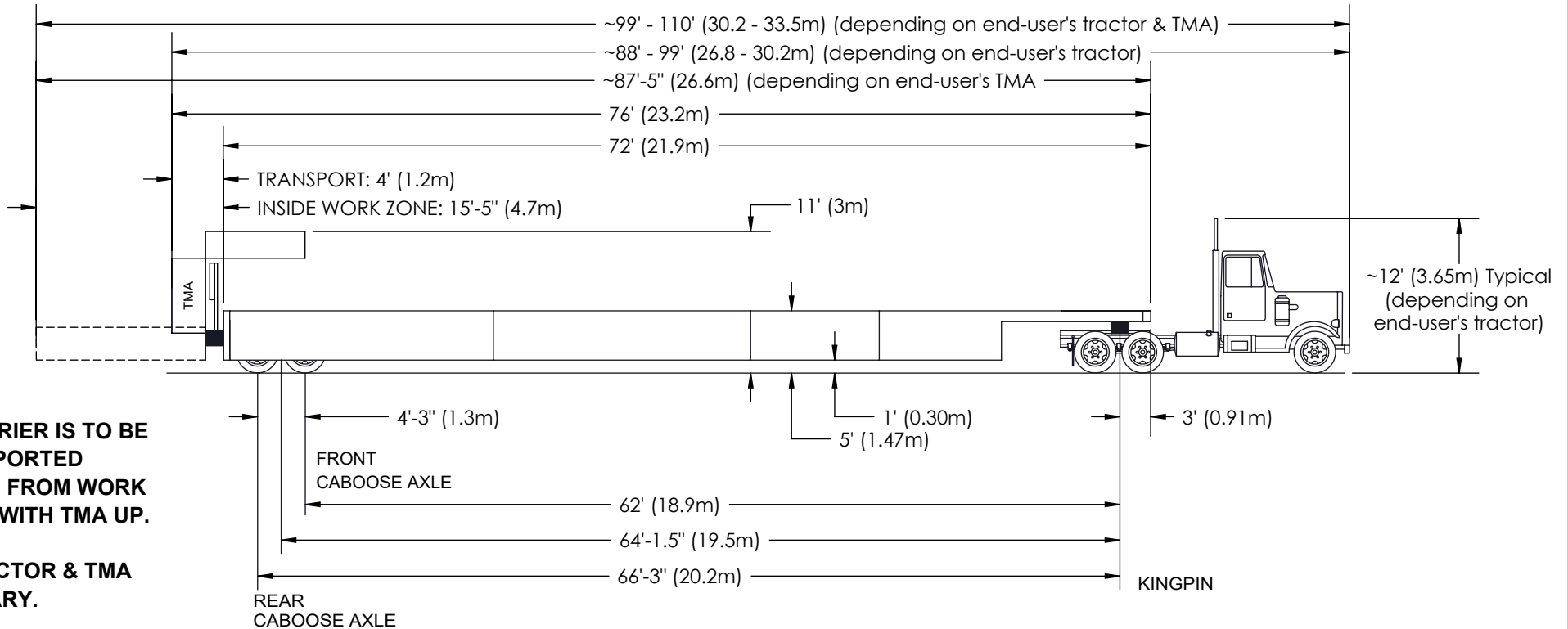


TOP VIEW



SIDE VIEW



NOTES:
(1) BARRIER IS TO BE TRANSPORTED TO AND FROM WORK ZONES WITH TMA UP.

(2) TRACTOR & TMA MAY VARY.

(3) STANDARD WEIGHT, WIDTH & HEIGHT.

MBT-1	
MBT-1 WEIGHT	35,000lb [13,600 kg] <i>with two 20ft [6.1m] wall sections</i>
AXLES	2
MAXIMUM WALL SECTIONS*	3
MAXIMUM WEIGHT (GVWR)	85,000lb [38,500 kg]

* Typical number of wall sections = 1 or 2
 Weight of extra wall section = 5,000lb [2,270 kg]



Mobile Barriers LLC | Denver Offices: 24918 Genesee Trail Road | Golden, Colorado 80401 | Phone 303-526-5955 | Fax 303-526-9959 | info@mobilebarriers.com | CAGE Code: 70N96

www.mobilebarriers.com

MOBILE BARRIERS & Design, Lines and MBT-1 are Registered Trademarks. © 2007-2021 Mobile Barriers LLC. All rights reserved. Subject to various patents & patents pending.

TITLE:

TYPICAL DIMENSIONS: MOBILE BARRIERS MBT-1 W/ 72FT LENGTH (20FT + 10FT WALL SECTION)

DWG NO.

DWG-SW-72FT-T

DO NOT SCALE DRAWING

rev-A2

Sheet No 1 of 1